

## LS 30 PRO



Art.-no.:  
01161210

## LS 30 PRO

Art.-no.: 01161210

Professional sensor devices for buildings.

### Installation and Operating Instructions

#### Short description

- Lux sensor for measuring daylight intensity
- Suited for outdoor installation
- Sunlight detection angle of approx. 120°

#### Technical data

Power supply:	5VDC
Current input:	0.5 – 4.5 mA
IP class:	IP 54
Maximum wire length: (Lux sensor → Control unit)	100 m
Operating temperature:	-15°C (5°F) to +45°C (+113°F)
Wiring cable:	5 m long, LIYY 2 × 0.34 mm <sup>2</sup> , white
Dimensions (L × W × H):	85 × 27.5 × 27.5 mm

Conformity:



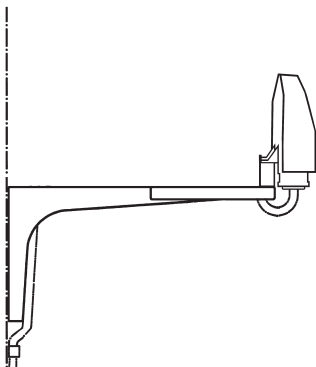
#### Assembly and installation



#### WARNING!

When connecting the device, observe the currently valid VDE standards (in particular DIN VDE 0100/0700), your local power company's regulations and the current accident prevention regulations.

For the installation, we recommend our aluminium mounting bracket, article-no. 01100510 or mounting bracket for wind and lux sensor article-no. 01271020.



#### Notes for professional electricians

1. Switch off the control power supply.
2. Mount Lux sensor in a suitable position.
3. Connect the power supply wires in accordance with the wiring diagram.
4. Switch on the control power supply.
5. Check the sensor function.

#### Safety precautions



- Please note, that the Lux sensor may only be used with Vestamatic control units.
- Check the Lux sensor for signs of mechanical damage after unpacking. If you notice any shipping damage, do not start up the control system and notify your supplier immediately.
- The Lux sensor should only be used for the purpose specified by the manufacturer (refer to the operating instructions). Any changes or modifications thereof are not permissible and will result in loss of all warranty claims.
- If the control unit cannot be operated without presenting a hazard, it must be switched off and prevented from being switched on unintentionally.
- When performing work on the windows, controls or connected shades, protect them against unauthorised or unintentional operation.

#### Cleaning

The device is almost maintenance-free. In case of excess contamination, the sensor can be cleaned with commercially available household cleaning agents without aggressive or abrasive additives.

#### The disposal of electrical equipment and batteries in household waste is strictly forbidden.



The symbol (dustbin crossed out, in line with WEEE Appendix IV) indicates separate collection of electrical and electronic products in EU countries. Do not dispose of the device or battery in your household waste. Ask your town or local council about the return and collection systems available in your area to dispose of this product.